

F40A active

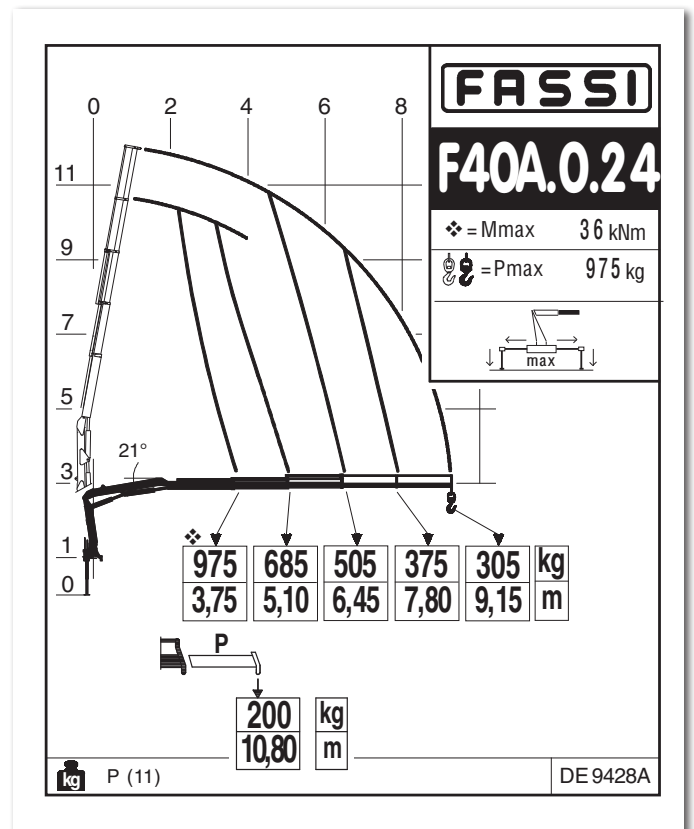
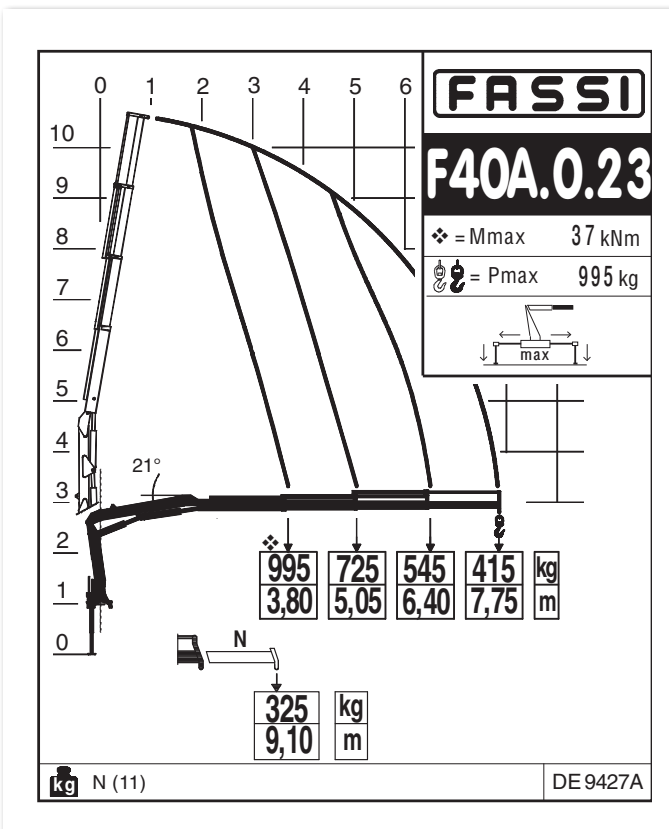
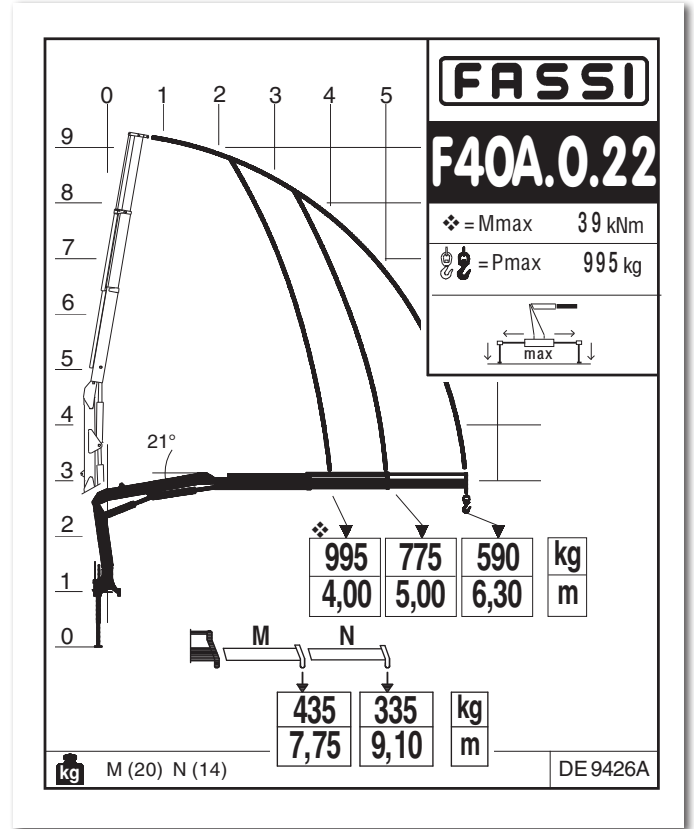
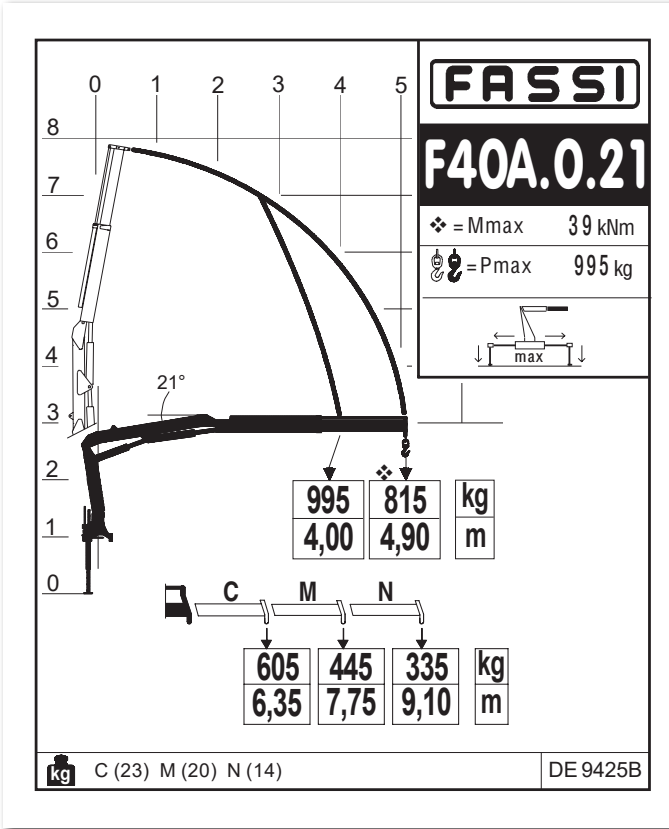
F40A active



**FASSI**  
CRANESWITHOUT COMPROMISE

**F40A active**  
Gallery





**CERTIFIED**  
**DYNAMIC**  
**PERFORMANCE**

**GB** Dynamic load diagrams calculated, tested and certified to lift the loads at the declared reaches

**IT** Diagrammi di portata dinamica calcolati, collaudati e certificati per sollevare i carichi agli sbracci dichiarati

**FR** Diagrammes de charge dynamiques calculés, testés et certifiés pour soulever les charges aux extensions déclarées

**DE** Dynamische Lastdiagramme sind berechnet, getestet und garantieren das Heben der Last bei angegebener Entfernung

**ES** Diagramas de carga dinámica calculados, calculados, probados y certificados para la elevación de las cargas a los alcances declarados

**NL** Dynamische last-vlucht Tabellen berekend, getest en gecertificeerd om de lasten te hijsen op de verklaarde bereiken

# A radio remote control (optional)

**SIMPLY**

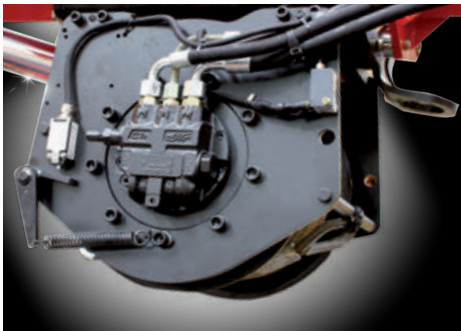


**GB** Easy and compact. 4 linear ergonomic levers. The switch allows to control up to 6 functions.

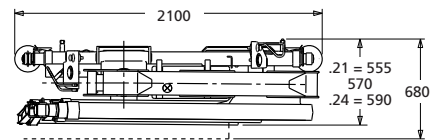
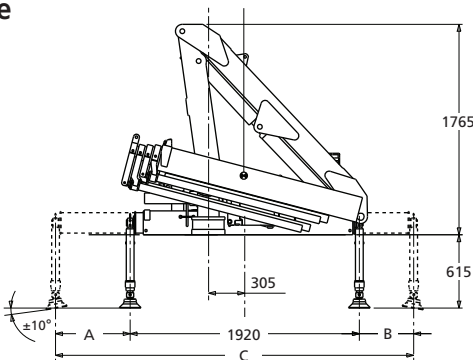
**HANDY**



**GB** The switch allows to control up to 6 functions. Extremely compact, this is the ideal for a single-hand control. 8 push-buttons allow the proportional control up to 4 functions simultaneously.



## F40A active



|   | STD  | XL   | XXL  |
|---|------|------|------|
| A | 625  | 985  | 1700 |
| B | 455  | 775  | 1180 |
| C | 3000 | 3680 | 4800 |

kg/m

|           | kNm | tm   | m    | m    | °   | kNm | MPa  | l/min | oil | kg  | mm   | mm  |
|-----------|-----|------|------|------|-----|-----|------|-------|-----|-----|------|-----|
| F40A.0.21 | 39  | 3,99 | 5,05 | 1,35 | 370 | 7   | 22,5 | 16    | 33  | 615 | 2100 | 555 |
| F40A.0.22 | 39  | 3,99 | 6,45 | 2,70 | 370 | 7   | 22,5 | 16    | 33  | 665 | 2100 | 570 |
| F40A.0.23 | 37  | 3,77 | 7,85 | 4,05 | 370 | 7   | 22,5 | 16    | 33  | 715 | 2100 | 570 |
| F40A.0.24 | 36  | 3,67 | 9,25 | 5,35 | 370 | 7   | 22,5 | 16    | 33  | 750 | 2100 | 590 |



|  |                  |                |                     |          |                 |                  |               |                   |              |             |                    |              |
|--|------------------|----------------|---------------------|----------|-----------------|------------------|---------------|-------------------|--------------|-------------|--------------------|--------------|
|  | Lifting capacity | Standard reach | Hydraulic extension | Rotation | Rotation torque | Working pressure | Pump capacity | Oil tank capacity | Crane weight | Crane width | Installation width | Crane height |
|--|------------------|----------------|---------------------|----------|-----------------|------------------|---------------|-------------------|--------------|-------------|--------------------|--------------|